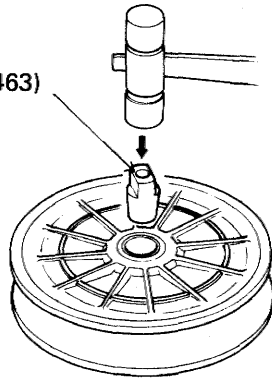




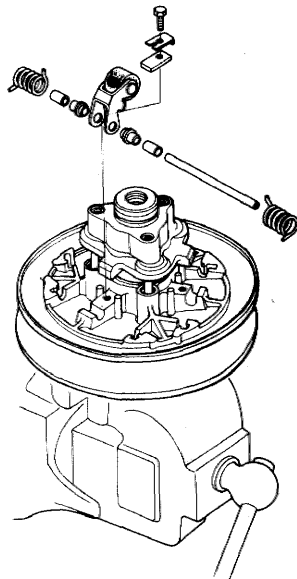
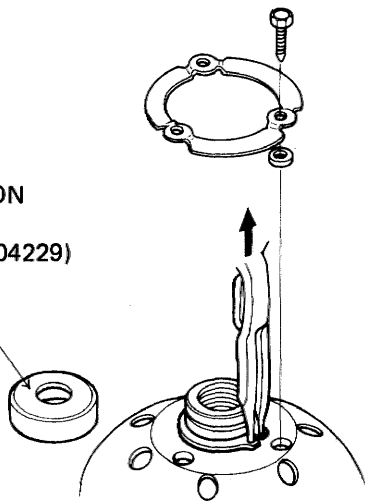
S. TOOL

TAPER PLUG  
(Salsbury #703463)



S. TOOL

SPIDER  
INSTALLATION  
CUP  
(Salsbury #704229)



① Using a plastic mallet, insert the taper plug into the taper of the drive pulley with a slight impact and place the taper plug flats in a bench vise.

② Bend the tabs of the lock plate away from the heads of the three 1/4-20 self-tapping ramp plate mounting screws with a chisel.

③ Remove the three ramp plate mounting screws with a 3/8 inch wrench. Remove the lock plate and the three flat washers.

④ Remove the snap ring from the hub with snap ring pliers. If the snap ring is tight, place the spider installation cup over the hub and onto the snap ring and hit the ring sharply with a hammer until the snap ring loosens.

⑤ Remove the snap ring and the ramp plate.

⑥ Disengage the six roller arm return springs with a flat blade screwdriver.

⑦ Bend the lock plate tabs away from the heads of the three 1/4-20 arm clamp mounting bolts with a chisel.

⑧ Remove the arm clamp mounting bolts with a 7/16 inch or 11 mm open end wrench.

⑨ Remove the lock tabs, the three arm pivot pin clamps and the three roller arms/springs/pins and bushing subassemblies. The drive pulley is now fully disassembled for normal servicing.

Fig. 3 DRIVE PULLEY DISASSEMBLY