

GEAR POSITION SWITCH

INSPECTION

Turn the ignition switch OFF.

Disconnect the PCM 33P (Black) connector (page 21-6).

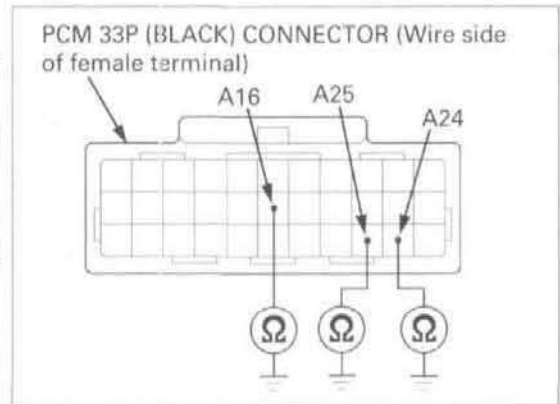
Check for continuity between each gear position switch wire terminal of the PCM connector and ground.

There should be continuity only at the terminals that correspond to the gearshift lever positions shown below, and there should be no continuity at the other terminals.

You must test each of the three wires in each gearshift lever position. Therefore, you need to make 9 tests, between each gear position switch wire terminal and ground.

If the test result is abnormal, disconnect the gear position switch 3P (Natural) connector.

Perform the continuity test at the 3P (Natural) connector in the same manner (page 14-44).



Color	Light blue/white	Light green	Gray	GND
DRIVE	1 ○	2	3	○
NEUTRAL	4	5 ○	6	○
REVERSE	7	8	9 ○	○

- If the test result at the PCM is abnormal and the one at the 3P connector is normal, check for open or short circuit, or loose or poor connector contact.
- If the both test results are abnormal, replace the gear position switch.



REPLACEMENT

Remove the following:

- seat (page 3-4)
- right side cover (page 3-5)
- left fuel tank side cover (page 3-7)

Disconnect the gear position switch 3P (Natural) connector.

Release the gear position switch wire from the clamps.

