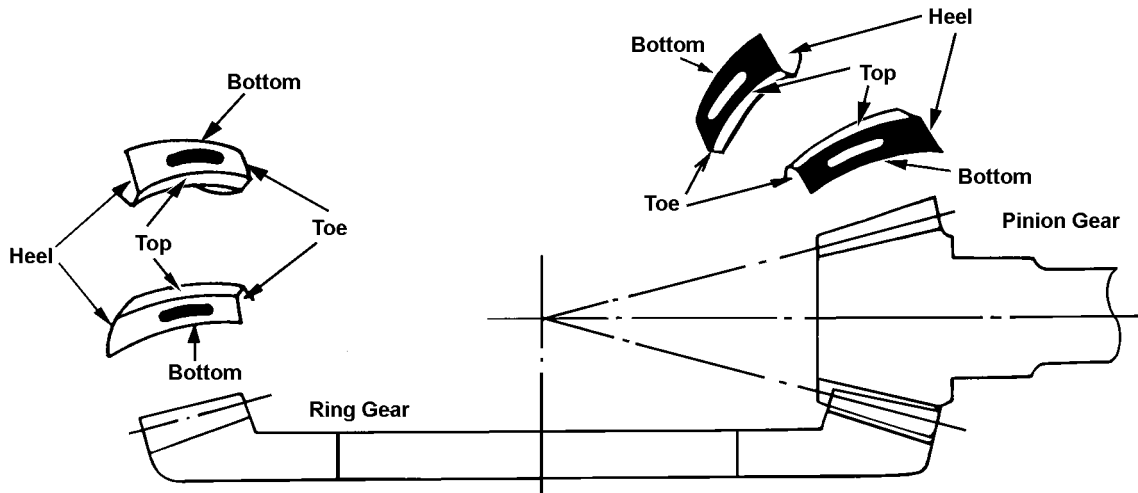


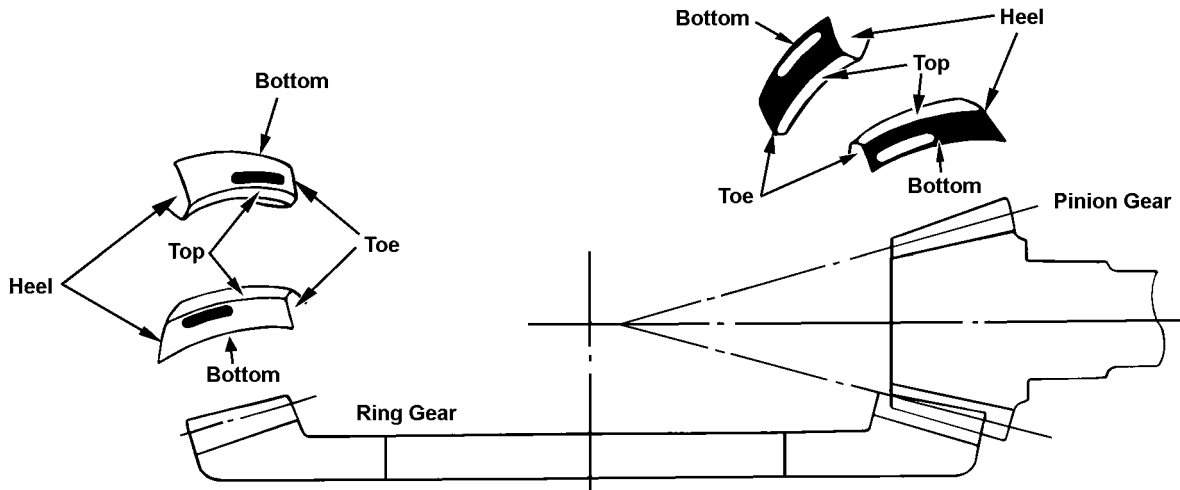
Final Gear Case

Correct Tooth Contact Pattern: No adjustment is required.



Incorrect Tooth Contact Patterns

Example 1 : Decrease the thickness of the ring gear shim(s) by 0.1 mm (0.004 in.) to correct the pattern shown below. Repeat in 0.1 mm (0.004 in.) steps if necessary.



Example 2 : Increase the thickness of the ring gear shim(s) by 0.1 mm (0.004 in.) to correct the pattern shown below. Repeat in 0.1 mm (0.004 in.) steps if necessary.

