

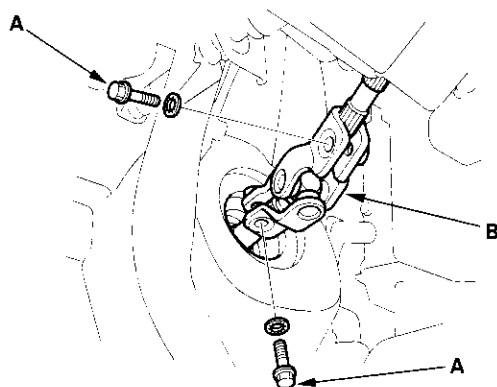


## Steering Gearbox Removal

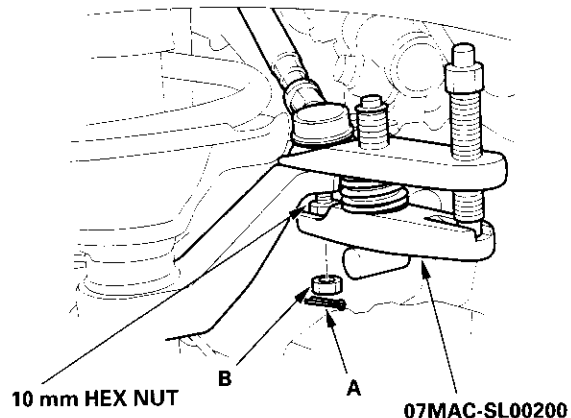
### Special Tool Required

Ball joint remover, 28 mm 07MAC-SL00200

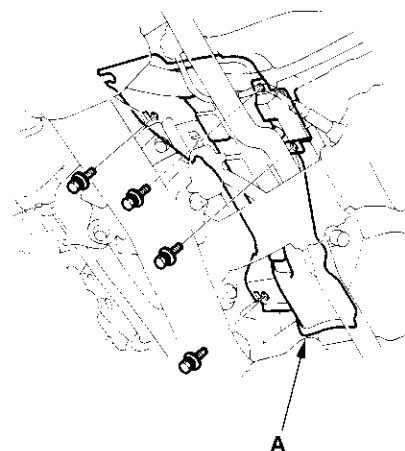
1. Raise the front of vehicle, and make sure it is securely supported.
2. Remove the front wheels.
3. Remove the driver's airbag (see page 23-113).
4. Remove the steering wheel (see page 17-6).
5. Remove the motor on the steering gearbox (see page 17-49).
6. Remove the driver's dashboard lower cover (see page 20-59) and under cover (see page 20-60).
7. Remove the steering joint bolts (A), and disconnect the steering joint by moving the steering joint (B) toward the column.



8. Remove the cotter pin (A) from the tie-rod ball joint nut (B), and loosen the nut.



9. Separate the tie-rod ball joint and damper steering arm using the special tool (see page 18-10). Repeat on the other side of the vehicle.
10. Grasp the right side tie-rod, and pull the rack all the way to the passenger's side.
11. Remove the heat shield (A) mounting bolts from the body stiffener, and let the heat shield lay against the exhaust.



(cont'd)