

TECHNICAL FEATURE

ABSOLUTE PRESSURE FUEL SUPPLY SYSTEM

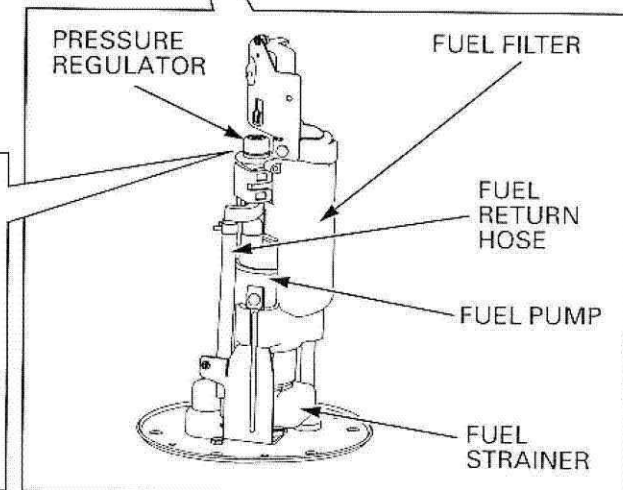
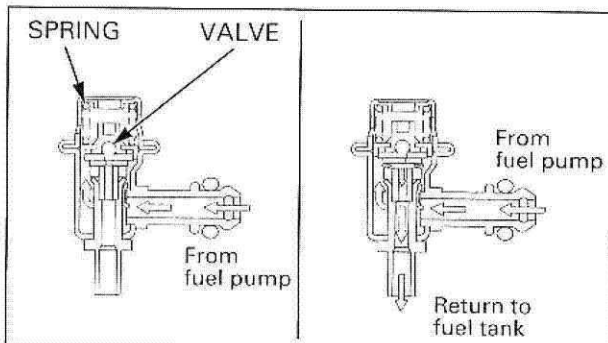
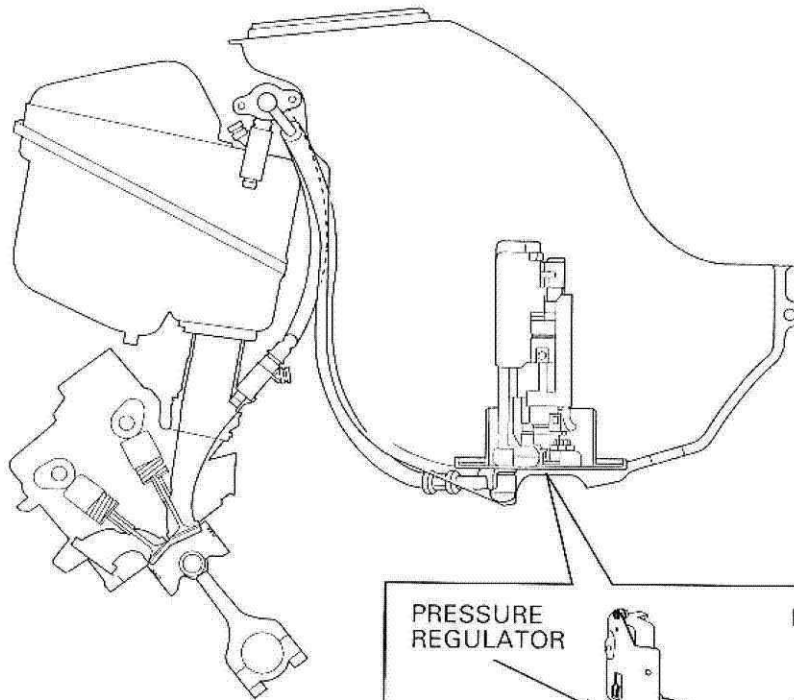
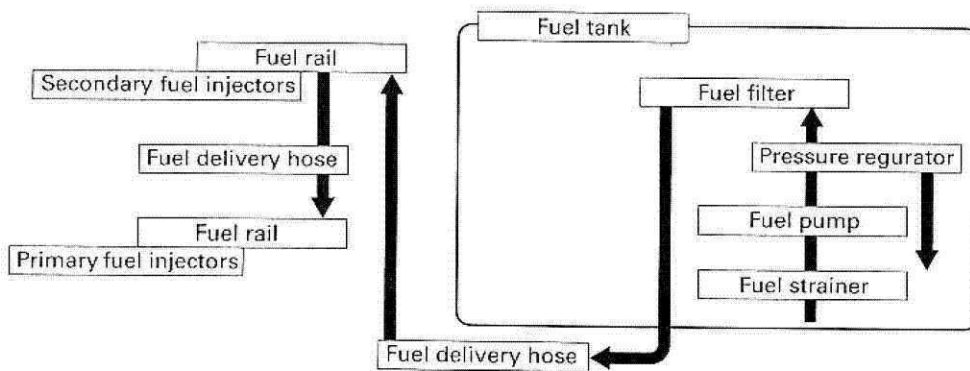
The fuel delivery system consists of the following components: fuel tank, fuel strainer, fuel pump, fuel filter, internal pressure regulator, fuel delivery hoses, fuel rails and injectors.

This system is equipped with the absolute fuel pressure. There is no external fuel return hose or vacuum pressure regulator with this system.

The fuel pressure in the fuel delivery system is regulated by the internal pressure regulator and always kept absolute; 343 kPa (3.5 kgf/cm², 50 psi).

The internal pressure regulator returns the fuel by opening a valve when the fuel pressure increases more than 343 kPa (3.5 kgf/cm², 50 psi).

This system optimizes injection volume by the ECM control.



Less than:
343 kPa (3.5 kgf/cm², 50 psi)

Over:
343 kPa (3.5 kgf/cm², 50 psi)