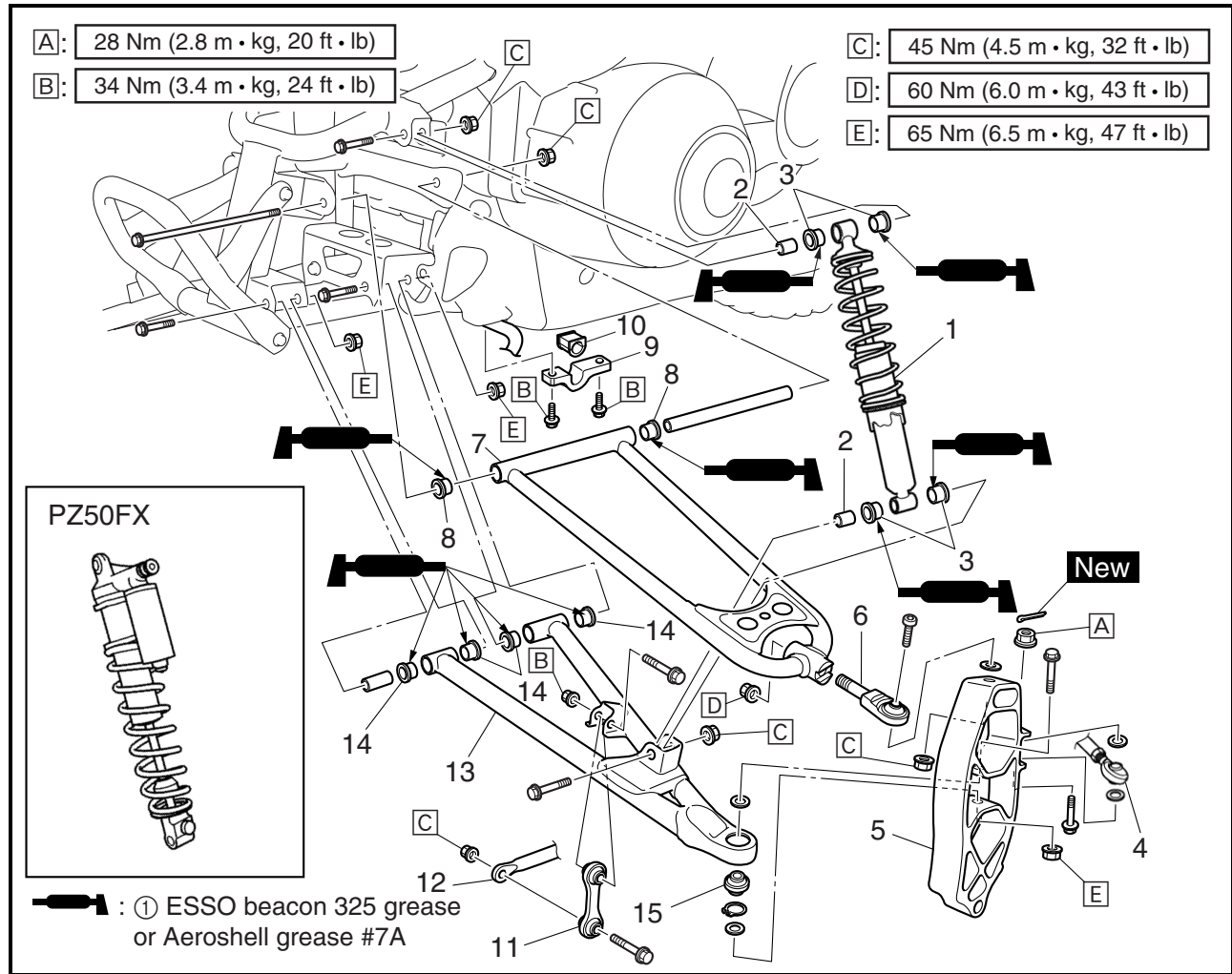




FRONT SUSPENSION

PZ50/PZ50FX/PZ50M



| Order | Job name/Part name              | Q'ty | Remarks                                     |
|-------|---------------------------------|------|---|
|       | <b>Front suspension removal</b> |      | Remove the parts in the order listed below. |
|       | Air filter case cover           |      | Refer to "COWLINGS".                        |
|       | Pivot arm cover                 |      | Refer to "STEERING".                        |
|       | Ski                             |      | Refer to "SKI".                             |
| 1     | Shock absorber                  | 1    |   |
| 2     | Collar                          | 2    | PZ50/PZ50M                                  |
| 3     | Bushing                         | 4    | PZ50/PZ50M                                  |
| 4     | Tie rod                         | 1    | Disconnect.                                 |
| 5     | Steering knuckle                | 1    |   |
| 6     | Upper arm ball joint            | 1    |   |
| 7     | Upper arm                       | 1    |   |
| 8     | Bushing                         | 2    |   |
| 9     | Stabilizer holder               | 1    |   |
| 10    | Bushing                         | 1    |   |